

## METAL SAW TYPE MS 350

The SHL metal saw MS 350 is designed to handle sawing processes. All the electrical elements required by the machine are located inside a switching cabinet. The machine can then be connected to a robot via a SHL-BUS system to form a functional unit.

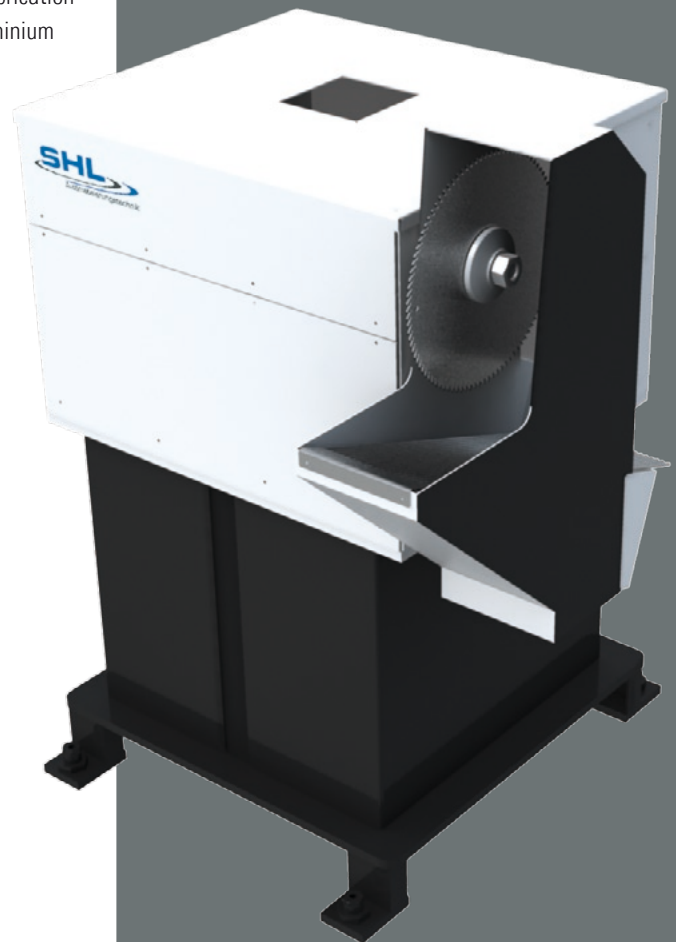
All the latest developments in sawing technology have been incorporated into the design, and the machine is built to use sawing blades up to 350 mm in diameter.

The metal saw MS 350 fulfills the special requirements associated with the sawing of highly contoured casted parts with infinitely variable sawing speeds. The sawing blade ensures a consistent cut.

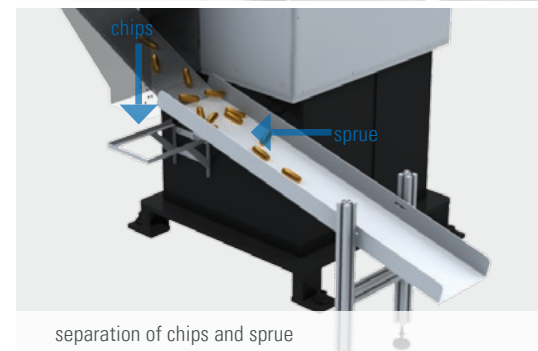
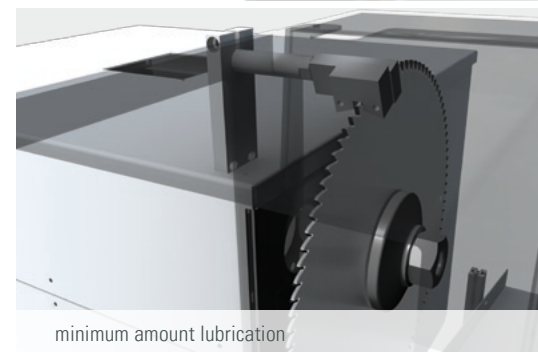
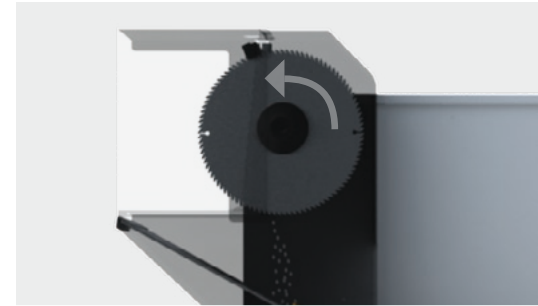
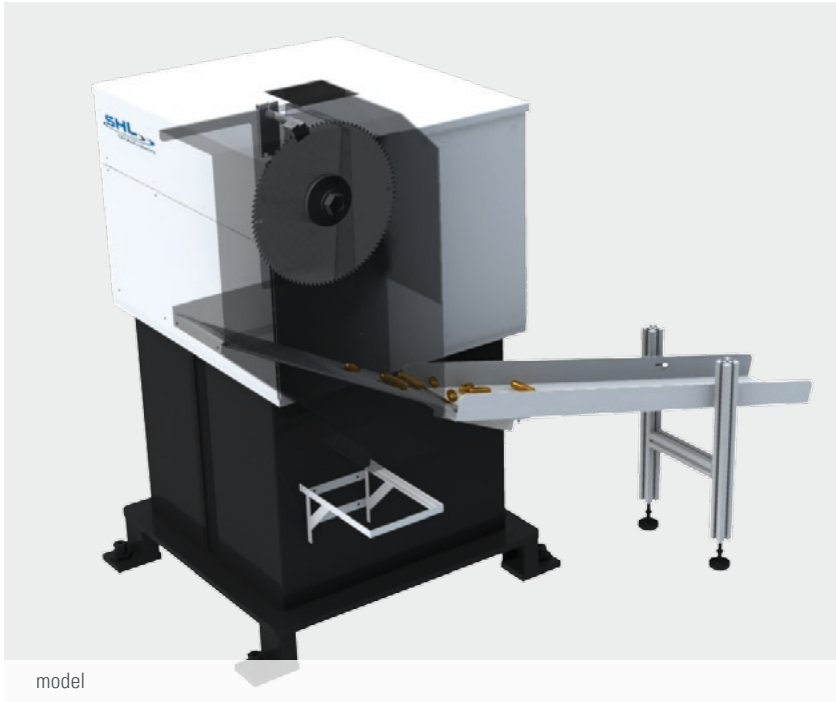
The compact design provides a generous amount of room in which to move the part.

### Special technical features

- Microprocessor-controlled frequency modulator – for stepless regulation of spindle speed.
- Digital display of spindle speed in the central operator panel of the SHL control cabinet – for precise coordination of speed levels for different applications areas.
- Low vibration due to a very stable construction.
- Interchangeable use of sawing blade or cutting wheel.
- Optional: minimum amount lubrication e.g. for the processing of aluminium parts.



# MS 350



## Technical data

Power:	7.5 kW (limited)
Sawing blade diameter:	min. 200mm / max. 350mm
Cutting blade I. D.:	Ø 30mm
Speed:	1500-2500 rpm
Dimensions (length*width*height):	(1150*1100*1450)mm
Weight:	about 750 kg
Color:	light gray RAL 7035 anthracite grey RAL 7016
Power connection:	3*400V, 50Hz
Diagonal chute:	optional
Automatic lubrication:	optional



**SHL Automatisierungstechnik AG**  
**Spaichinger Weg 14, D-78583 Böttingen**

Fon: +49-(0)7429 - 9304-0

Fax: +49-(0)7429 - 9304-50

Internet: [www.shl-automatisierung.de](http://www.shl-automatisierung.de)

E-Mail: [info@shl-automatisierung.de](mailto:info@shl-automatisierung.de)



Grinding



Polishing



Deburring



Milling



Brushing



Measuring



Assembly



Loading  
Unloading



Palletizing